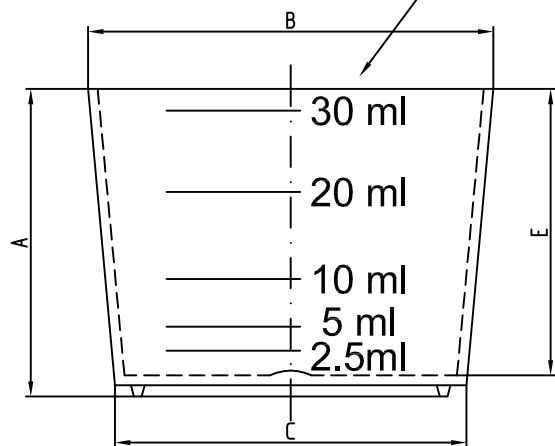


engraving (readable from the outside with transparent or transluclide material)



measuring beaker No. 4D PS 30 ml		
A	total height	32,2 mm
B	outer Ø on top	42,4 mm
C	outer Ø on bottom	36,8 mm
D	printable area	--
E	inner height	30,0 mm
F	nominal volume	30 ml