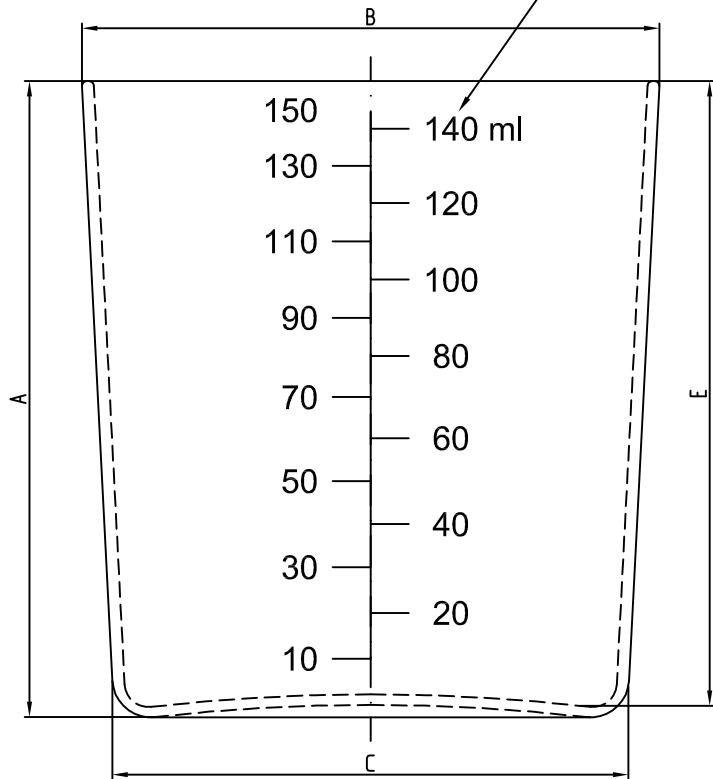


engraving (readable from the outside with transparent or transluclide material)



measuring beaker No. 13A PP 150 ml		
A	total height	66,3 mm
B	outer Ø on top	60,4 mm
C	outer Ø on bottom	53,7 mm
D	printable area	--
E	inner height	65,3 mm
F	nominal volume	150 ml